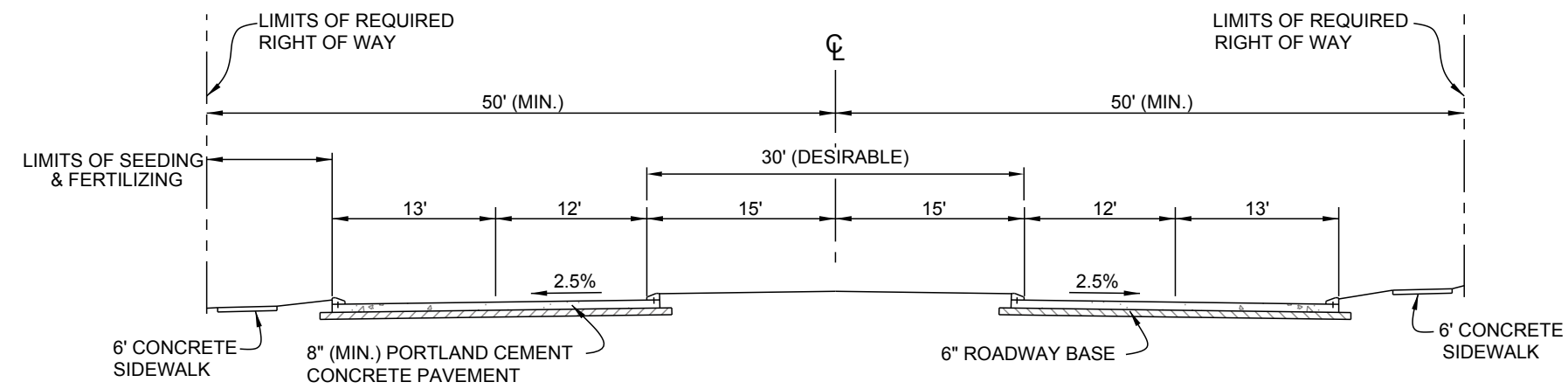


EXISTING TYPICAL SECTION



PROPOSED TYPICAL SECTION



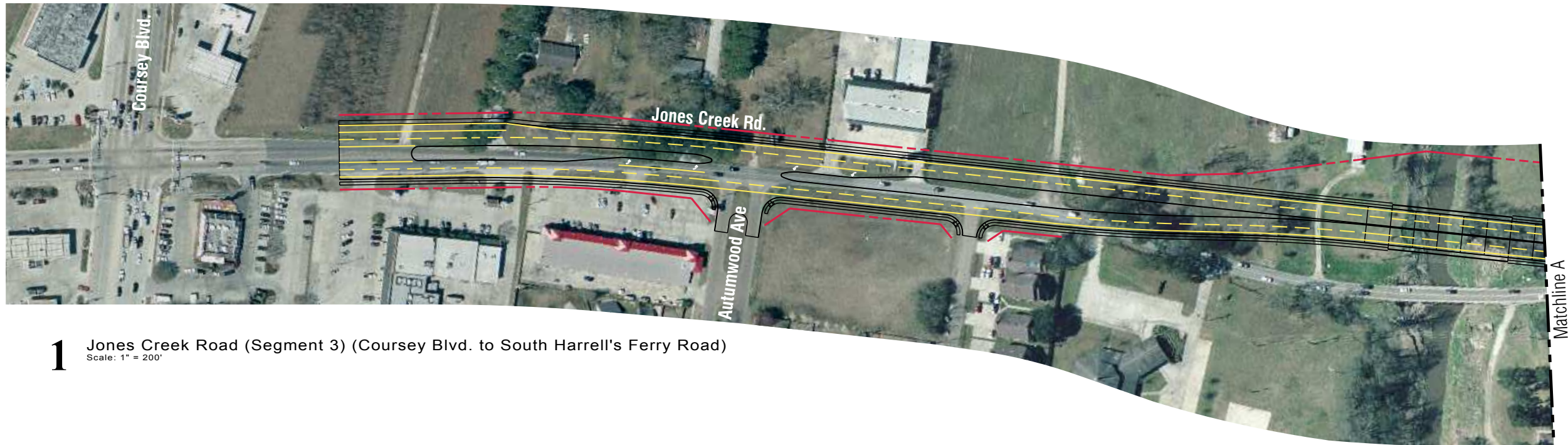
- In association with:
- PBS&J
 - GOTECH, Inc.
 - Neel-Schaffer, Inc.
 - Compliance Consultants, Inc.
 - Jones Walker, LLP
 - John C. Doiron MAI Appraisal Services
 - Rampart Resources
 - SSA Consultants, LLC

Project:
Jones Creek Road (Seg. 3)
(Coursey Blvd. to S. Harrell's Ferry Rd.)

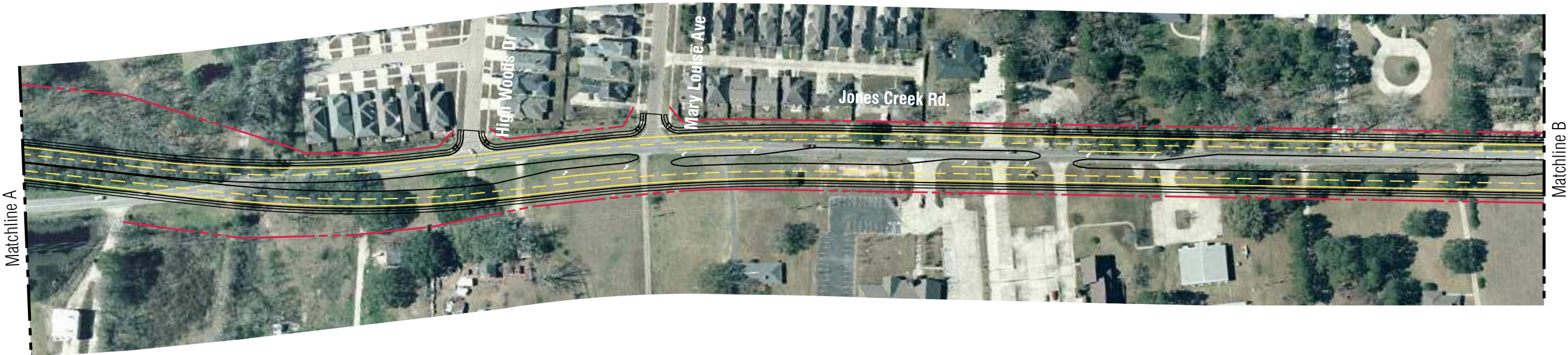
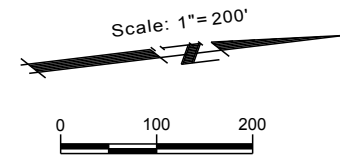
Sheet Title:
Exhibit A

Date:	October 8, 2007
Project Number:	25041.00
Drawn By:	BD
Checked By:	MM
Sheet:	

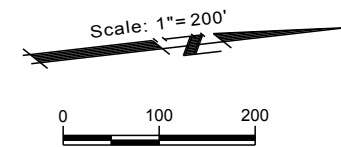
\\gpcanv\projects\25041\Projects\105 - Jones Creek Road (Seg. 3)\Roadway Design\105 - Concept Plan\105 Typical.dwg Oct 09, 2007 - 4:24pm



1 Jones Creek Road (Segment 3) (Coursey Blvd. to South Harrell's Ferry Road)
Scale: 1" = 200'



2 Jones Creek Road (Segment 3) (Coursey Blvd. to South Harrell's Ferry Road)
Scale: 1" = 200'



In association with:
 PBS&J
 GOTECH, Inc.
 Neel-Schaffer, Inc.
 Compliance Consultants, Inc.
 Jones Walker, LLP
 John C. Doiron
 MAI Appraisal Services
 Rampart Resources
 SSA Consultants, LLC

Project:
Jones Creek Road (Seg. 3)
(Coursey Blvd. to
S. Harrell's Ferry Road)

Sheet Title:

Exhibit B

Date: October 8, 2007
 Project Number: 25041.00
 Drawn By: GB
 Checked By: BD
 Sheet:

LEGEND

- EXISTING APPARENT R.O.W.
- PROPOSED R.O.W.
- TRAVEL LANES
- EDGE OF ROAD

